

Material & finish:

- 1 Body: Brass, gold plated
- 2 Center contact: beryllium copper alloy, gold plated
- 3 Insulator: PTFE & PEI

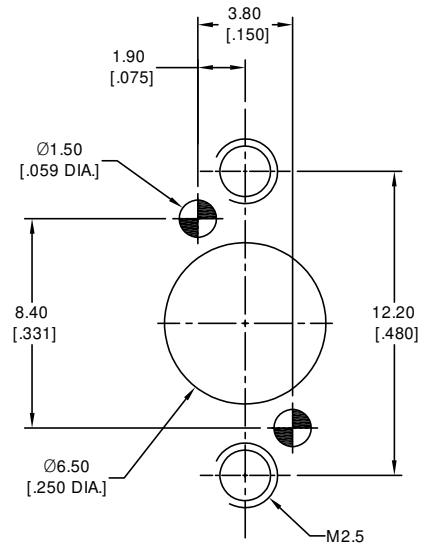
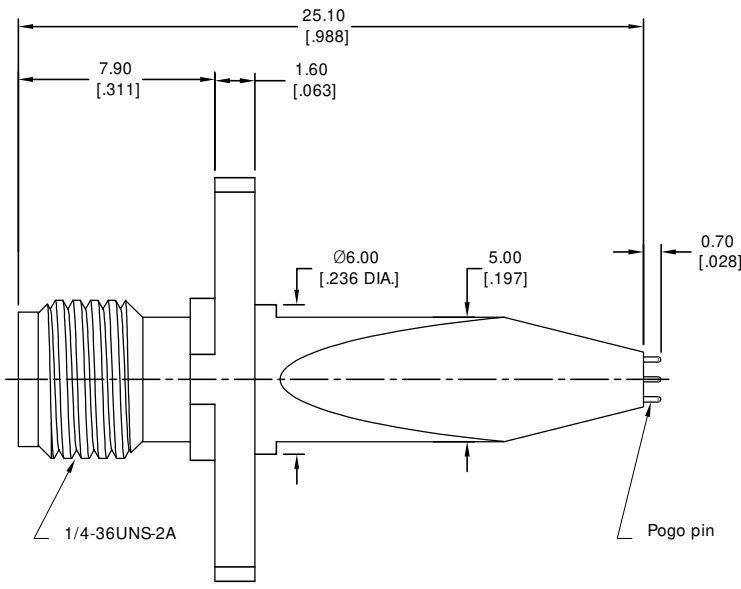
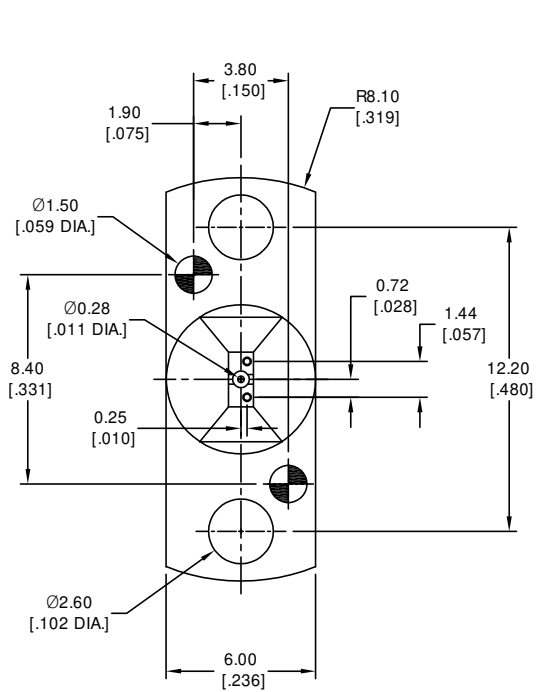
Electrical data:

- 1 Impedance: 50 Ω
- 2 Frequency range: dc~20 GHz
- 3 Return loss: >10 dB
- 4 Insertion loss: 0.50 dB max.

Environmental data:

- 1 Temperature range: -40°C~+155°C
- 2 2011/65/EU(Rohs) and 2015/863/(Rohs): Compliant
- 3 1999/45/EC(Reach): Compliant

Revisions			
Rev.	Description	Date	Approved
A	Initial release	03/03/26	J Q



Recommend panel layout

NOTE: Specifications are subject to change without notice.
Contact us for the latest data before finalizing your design.

Drawn	W. Y	03/03/26
Checked	X. Y	03/03/26
Approved	J Q	03/03/26
Unless otherwise specified dimensions are in millimeters, dimensions [] are in inches for customer reference only unless otherwise specified tolerance are:		These drawings and specifications are the property of anoisson group. they shall not be reproduced or used without written permission. © 2026 anoisson group. all rights reserved.
.XX	±0.13 [.005"]	
.X	±0.20 [.008"]	
X	±0.50 [.019"]	
.X'	±1°	
.X'	±2°	

Title: Test probe 700µm Pitch 2.92mm female connector

Part no. ANO 2912-6226

View	Size	Scale	Sheet	Rev.
	A3	5:1	1/1	A