

4

3

2

1

MATERIAL & FINISH:

- 1 BODY: STAINLESS STEEL, PASSIVATED
- 2 CENTER CONTACT: BERYLLIUM COPPER ALLOY, GOLD PLATED
- 3 INSULATOR: PEI
- 4 COUPLING NUT: STAINLESS STEEL, PASSIVATED

ELECTRICAL DATA:

- 1 IMPEDANCE: 50 Ω
- 2 FREQUENCY RANGE: DC-67 GHz
- 3 VSWR: 1.25 MAX.

REVISIONS

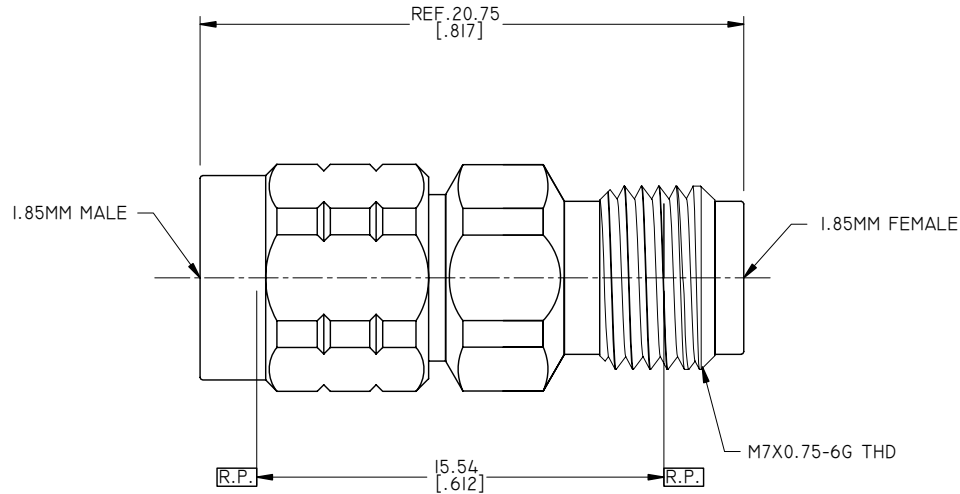
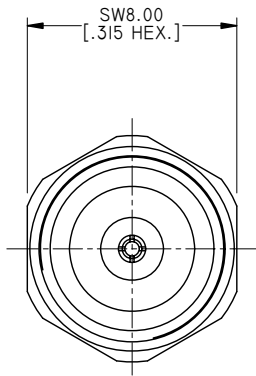
REV.	DESCRIPTION	DATE	APPROVED
A	INITIAL RELEASE	03/26/13	J. QU
B	PART NO. CHANGED	06/12/15	J. QU
C	CHANGED DRAWINGS	04/24/18	J. QU

ENVIRONMENTAL DATA:

- 1 TEMPERATURE RANGE: -55°C~+165°C
- 2 2011/65/EU (RoHS): COMPLIANT

APPLICABLE STANDARDS:

- 1 INTERFACE ACCORDING TO: MIL-STD-348



DRAWN	P. CHEN	DATE	04/24/18
CHECKED	L. YANG	DATE	04/24/18
APPROVED	J. QU	DATE	04/24/18

UNLESS OTHERWISE SPECIFIED DIMENSIONS ARE IN MILLIMETERS, DIMENSIONS IN [] ARE IN INCHES FOR CUSTOMER REFERENCE ONLY UNLESS OTHERWISE SPECIFIED TOLERANCE ARE:

.XX	±0.13 [.005"]
.X	±0.20 [.008"]
X	±0.50 [.019"]
.X°	±1°
X°	±2°

THESE DRAWINGS AND SPECIFICATIONS ARE THE PROPERTY OF ANOISON ELECTRONICS LTD AND SHOULD NOT BE USED WITHOUT WRITTEN PERMISSION COPYRIGHT © 2018 ANOISON ELECTRONICS LTD



TITLE
PRECISION ADAPTER
1.85MM MALE TO 1.85MM FEMALE

VIEW	PART NO. PA6262B		
SIZE A3	SCALE 5:1	SHEET 1/1	REV. C

4

3

2

1