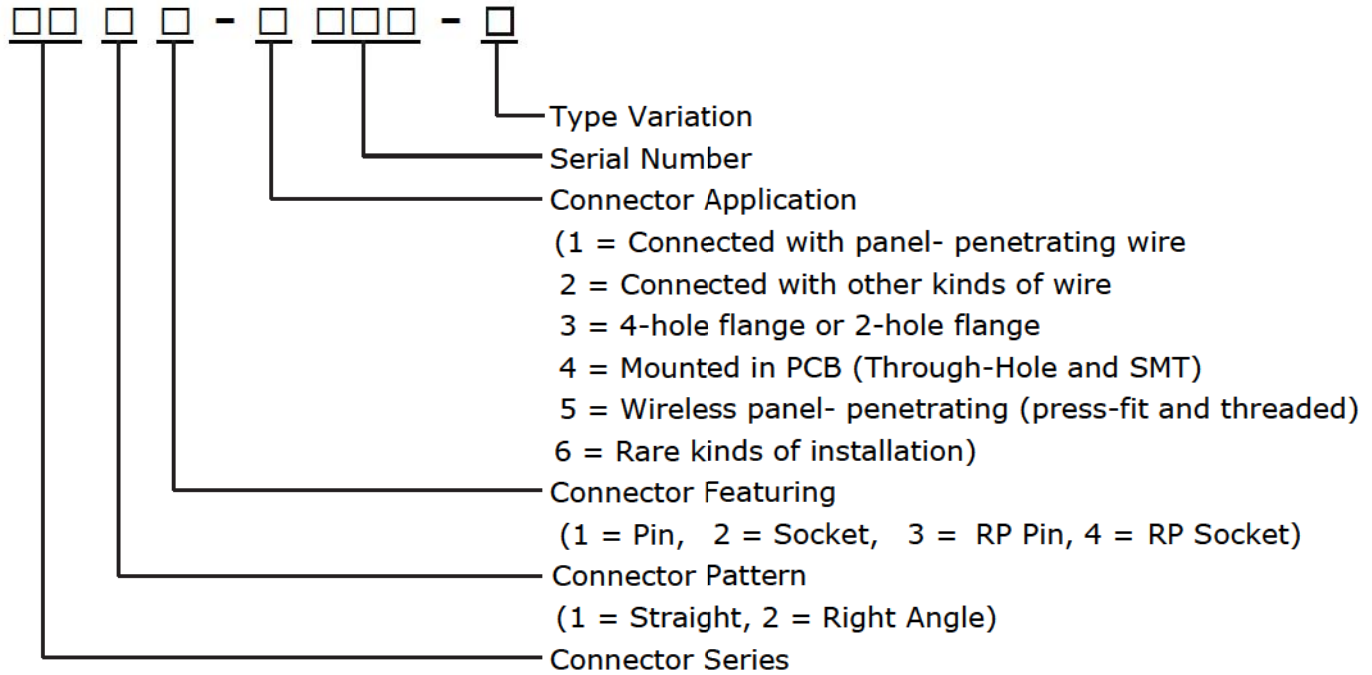


# ANOISON PART NUMBER

## CONNECTOR:



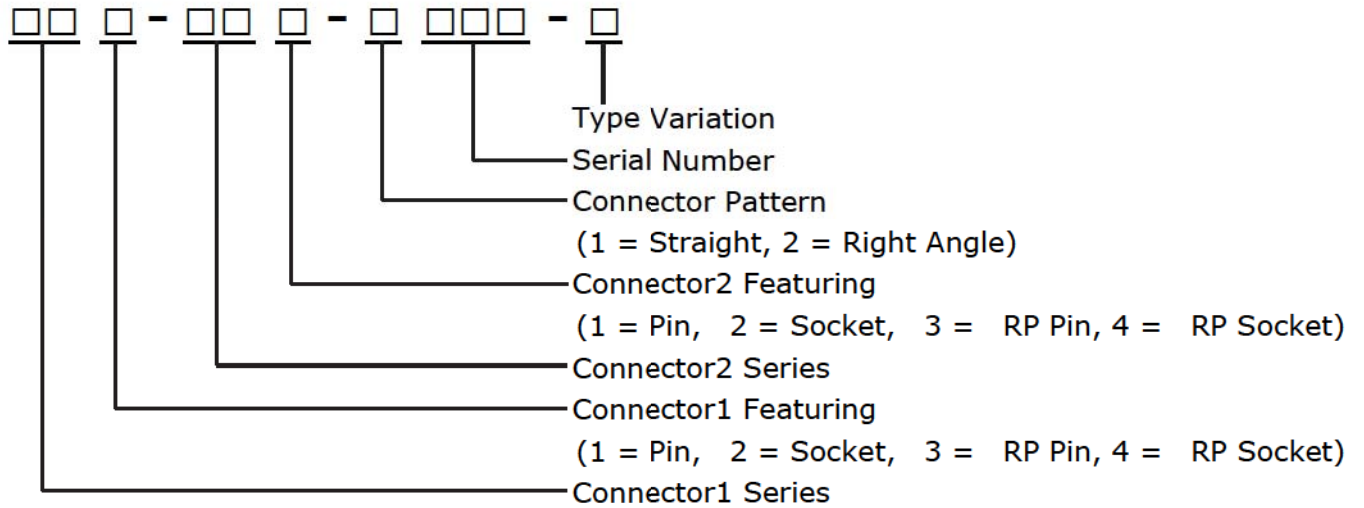
**Examples:** ANO 26 2 1 - 2 040 - A

26 = QMA Series  
 2 = Right Angle  
 1 = Pin  
 2 = Connected With Other Kinds Of Wire  
 001 = Serial Number  
 A = Plating Change

## CONNECTOR SERIES:

- |               |               |           |
|---------------|---------------|-----------|
| 11 = MMCX     | 28 = Mini-QMA | 91 = SSMA |
| 13 = MCX      | 29 = 2.92mm   | 93 = SMP  |
| 15 = 1.0/2.3  | 31 = BNC      | 95 = FME  |
| 17 = SMB      | 33 = TNC      | 97 = F    |
| 18 = U.FL/MHF | 36 = TM       |           |
| 19 = SMC      | 51 = N-Type   |           |
| 21 = SMA      | 52 = UFL      |           |
| 25 = 3.5mm    | 53 = HPQN     |           |
| 26 = QMA      | 56 = 7/16     |           |

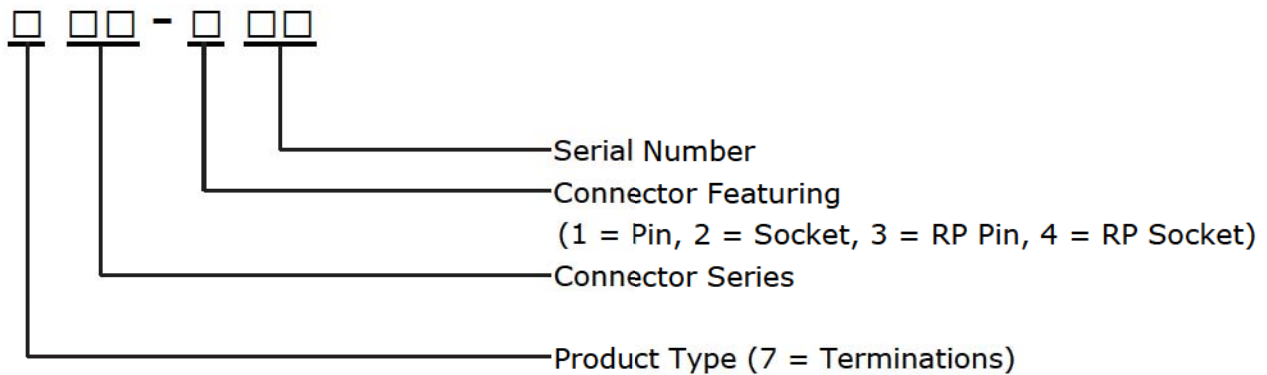
**ADAPTER:**



**Examples:** ANO 51 1 - 21 4 - 1 010 - A

- 51 = N-Type Series
- 1 = Pin
- 21 = SMA Series
- 4 = RP Socket
- 1 = Straight
- 010 = Serial Number
- A = Plating Change

**TERMINATIONS:**



**Examples:** ANO 7 21 - 1 01

- 7 = Terminations
- 21 = SMA Series
- 1 = Pin
- 01 = Serial Number