

4

3

2

1

1.0 MATERIAL & FINISH

- 1.1 BODY: STAINLESS STEEL, PASSIVATED
- 1.2 CENTER CONTACT: BERYLLIUM COPPER ALLOY, GOLD PLATED
- 1.3 SOLDER FERRULE: BRASS, GOLD PLATED
- 1.4 INSULATOR: PEI

2.0 ENVIRONMENTAL DATA:

- 2.1 TEMPERATURE RANGE: -55°C~+165°C
- 2.2 2011/65/EU (RoHS): COMPLIANT

3.0 ELECTRICAL DATA:

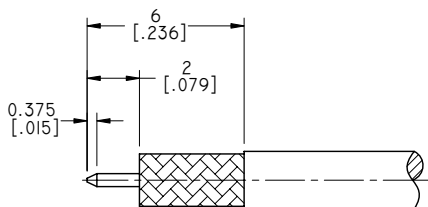
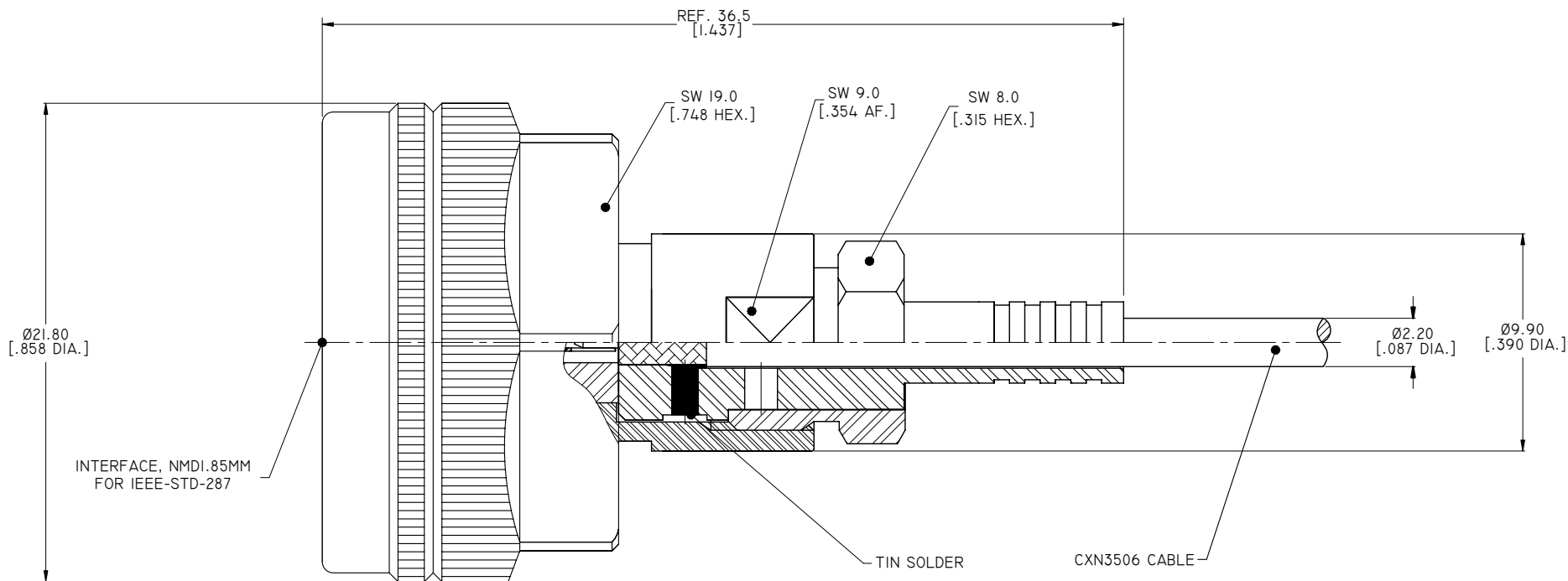
- 3.1 IMPEDANCE: 50 OHMS
- 3.2 FREQUENCY RANGE: DC~65GHZ
- 3.3 VSWR: 1.25 TYP. DC~40GHZ;  
1.40 TYP. 40~65GHZ

4.0 MECHANICAL DATA:

- 4.1 MECHANICAL DURABILITY: 500 CYCLES MIN.
- 4.2 CENTER CONTACT: CAPTIVATED
- 4.3 OUTER CONTACT: SOLDERED

REVISIONS

REV.	DESCRIPTION	DATE	APPROVED
A	INITIAL RELEASE	12/14/16	J. QU
B	CHANGED ELECTRICAL DATA	08/14/17	J. QU
C	CHANGED SOLDER FERRULE	01/12/18	J. QU



CABLE STRIPPING DIMENSIONS

DRAWN	P. CHEN	DATE	01/12/18
CHECKED	L. YANG	DATE	01/12/18
APPROVED	J. QU	DATE	01/12/18
UNLESS OTHERWISE SPECIFIED DIMENSIONS ARE IN MILLIMETERS, DIMENSIONS IN [ ] ARE IN INCHES FOR CUSTOMER REFERENCE ONLY UNLESS OTHERWISE SPECIFIED TOLERANCE ARE:		THESE DRAWINGS AND SPECIFICATIONS ARE THE PROPERTY OF ANOISON ELECTRONICS LTD. AND SHOULD NOT BE USED WITHOUT WRITTEN PERMISSION. COPYRIGHT © 2018 ANOISON ELECTRONICS LTD.	
.XX	±0.13 [0.005"]		
.X	±0.20 [0.008"]		
X	±0.50 [0.019"]		
.X°	±1°		
X°	±2°		



TITLE  
NMDI.85MM STRAIGHT FEMALE SOLDER FOR CXN3506 CABLE, CAPTIVATED CONTACT

VIEW	PART NO.	ANO 6912-2002		
SIZE	SCALE	SHEET	REV.	
A3	5:1	I/I	C	

4

3

2

1