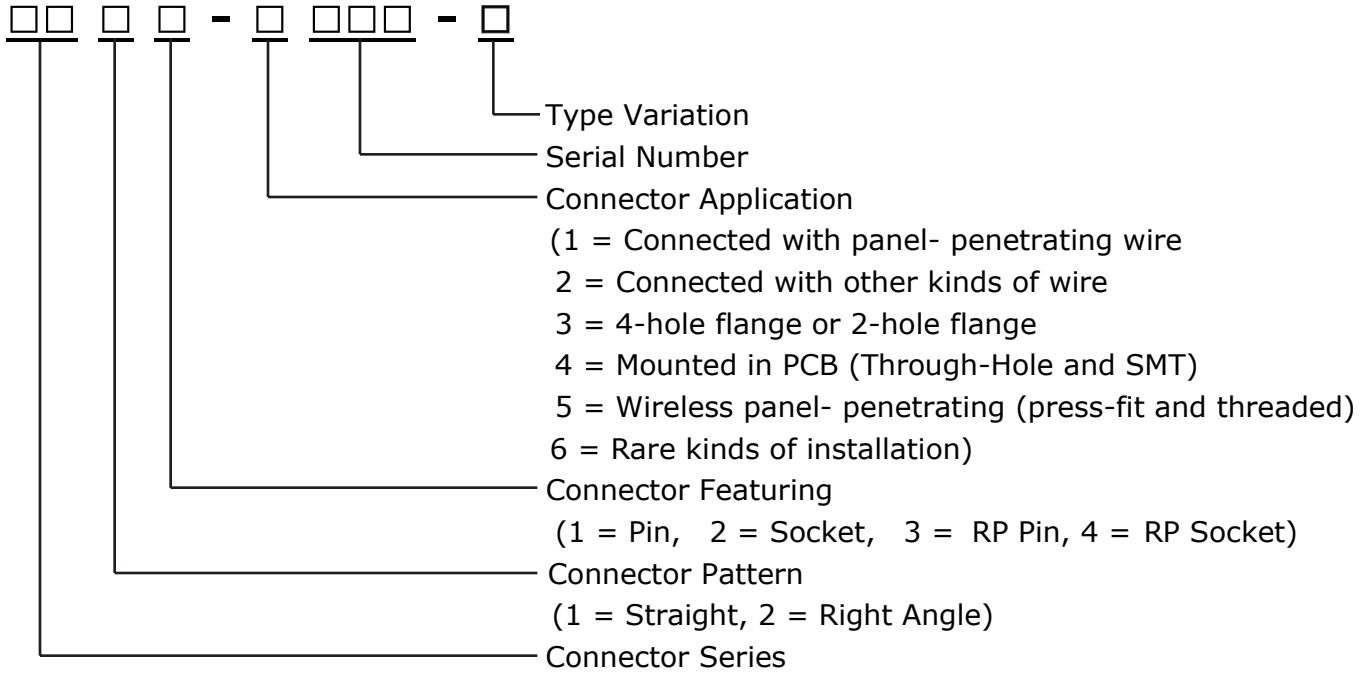


ANOISON PART NUMBER

CONNECTOR:



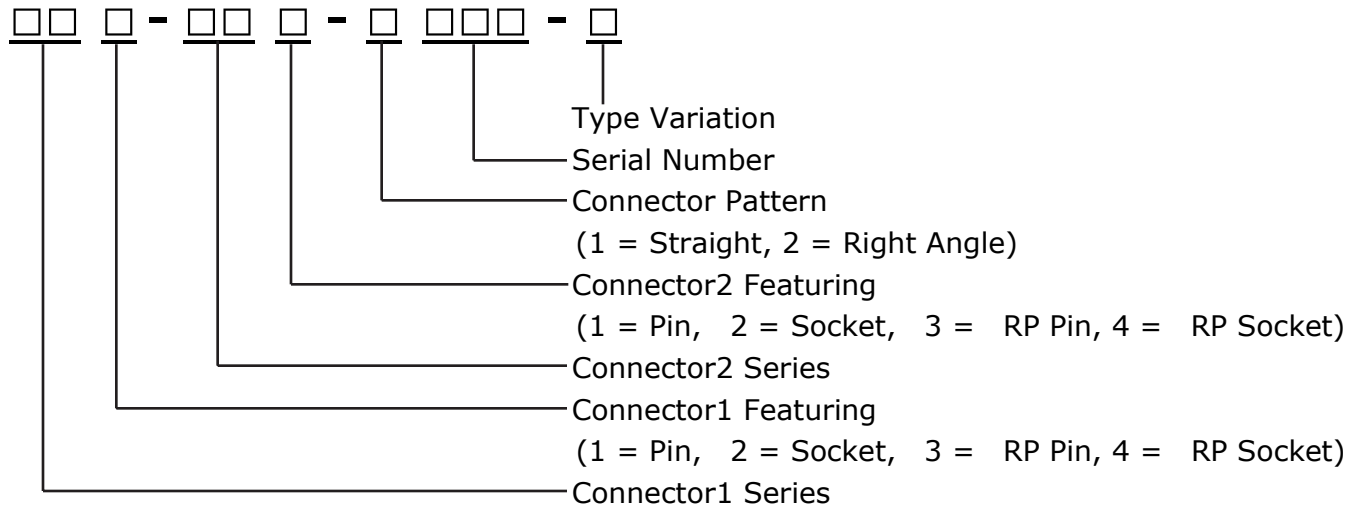
Examples: ANO 26 2 1 - 2 040 - A

- 26 = QMA Series
- 2 = Right Angle
- 1 = Pin
- 2 = Connected With Other Kinds Of Wire
- 001 = Serial Number
- A = Plating Change

CONNECTOR SERIES:

- | | | |
|---------------|---------------|-----------|
| 11 = MMCX | 28 = Mini-QMA | 91 = SSMA |
| 13 = MCX | 29 = 2.92mm | 93 = SMP |
| 15 = 1.0/2.3 | 31 = BNC | 95 = FME |
| 17 = SMB | 33 = TNC | 97 = F |
| 18 = U.FL/MHF | 36 = TM | |
| 19 = SMC | 51 = N-Type | |
| 21 = SMA | 52 = UFL | |
| 25 = 3.5mm | 53 = HPQN | |
| 26 = QMA | 56 = 7/16 | |

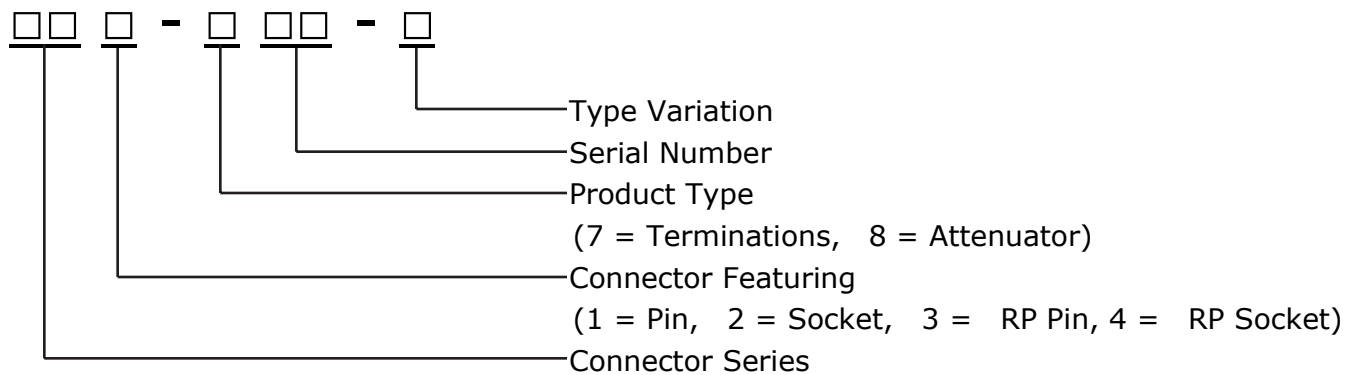
ADAPTER:



Examples: ANO 51 1 - 21 4 - 1 010 - A

- 51 = N-Type Series
- 1 = Pin
- 21 = SMA Series
- 4 = RP Socket
- 1 = Straight
- 010 = Serial Number
- A = Plating Change

COMPONENTS:



Examples: ANO 26 1 - 7 01 - A

- 26 = QMA Series
- 1 = Pin
- 7 = Terminations
- 01 = Serial Number
- A = Different Operating Frequency