

MATERIAL & FINISH:

1. BODY: STAINLESS STEEL, PASSIVATED
2. CENTER CONTACT: BERYLLIUM COPPER ALLOY, GOLD PLATED
3. COUPLING NUT: STAINLESS STEEL, PASSIVATED
4. INSULATOR: PEI

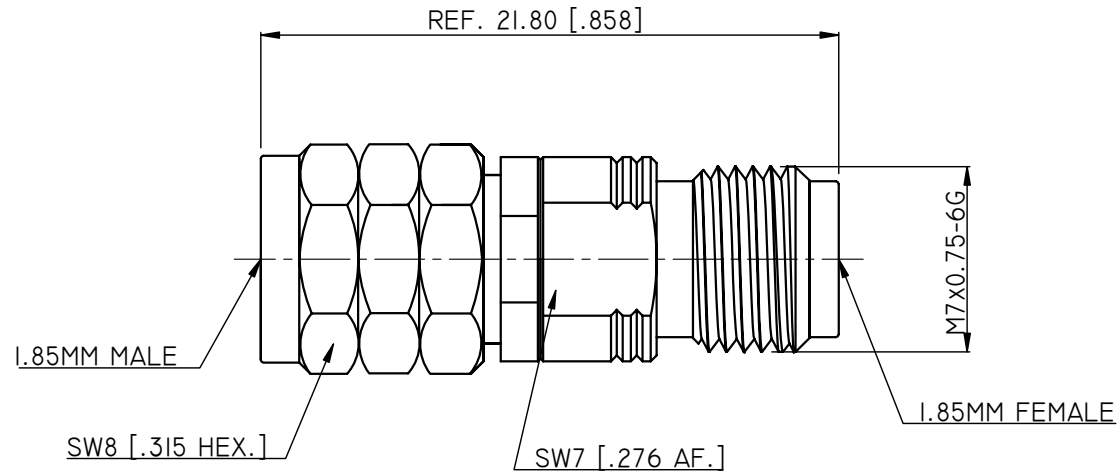
ENVIRONMENTAL DATA:

1. TEMPERATURE RANGE: -55°C~+125°C
2. 2011/65/EU (RoHS): COMPLIANT

ELECTRICAL SPECIFICATIONS:

1. IMPEDANCE: 50 Ω
2. FREQUENCY RANGE: DC~65GHZ
3. VSWR: 1.25 MAX

REVISIONS			
REV.	DESCRIPTION	DATE	APPROVED
A	INITIAL RELEASE	03/26/13	J. QU
B	PART NO. CHANGED	06/12/15	J. QU



DRAWN	L. YANG	DATE	06/12/15		
CHECKED	X. B. YANG	DATE	06/12/15		
APPROVED	J. QU	DATE	06/12/15		
UNLESS OTHERWISE SPECIFIED DIMENSIONS ARE IN MILLIMETERS, DIMENSIONS IN [] ARE IN INCHES FOR CUSTOMER REFERENCE ONLY UNLESS OTHERWISE SPECIFIED TOLERANCE ARE:		THESE DRAWINGS AND SPECIFICATIONS ARE THE PROPERTY OF ANOISON ELECTRONICS LTD AND SHOULD NOT BE USED WITHOUT WRITTEN PERMISSION COPYRIGHT © 2015 ANOISON ELECTRONICS LTD			
.XX ±0.13 [.005"]		<div style="text-align: center;"> <p>ANOISON ...we create connection for technologies</p> </div>			
.X ±0.20 [.008"]					
X ±0.50 [.019"]					
.X° ±1°					
X° ±2°					
TITLE PRECISION ADAPTER 1.85MM MALE TO 1.85MM FEMALE					
VIEW		PART NO. PA6262B			
		SIZE A3	SCALE 5:1	SHEET 1/1	REV. B